



SCAN HERE
to see additional
information and
product videos



Tools Required

Allen key provided.
No additional tools required.

Parts Included



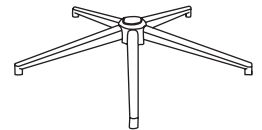
A x 1
Backrest



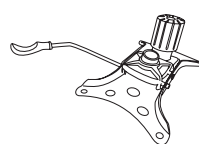
B x 1
Seat Pan



C x 2
Armrests



D x 1
Base



E x 1
Mechanism



F x 1
Gaslift



G x 5
Casters



L x 1
Allen Key



H x 1
Allen Key



I x 6
M8 x 30 Back mounting &
front mechanism screws



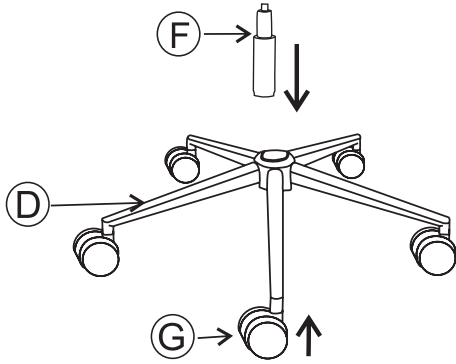
J x 2
M8 x 35 Rear
Mechanism Screws



K x 4
M8 x 57 Arm
Mounting Screws

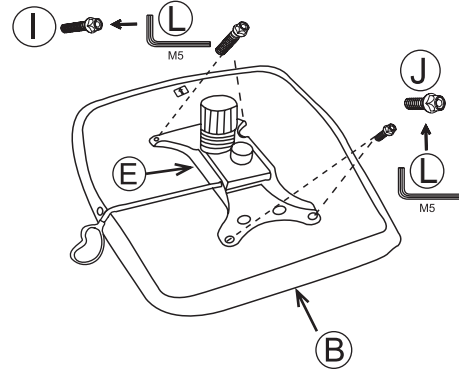
Step 1

Insert casters (G) into base (D), insert gaslift (F) into base 1



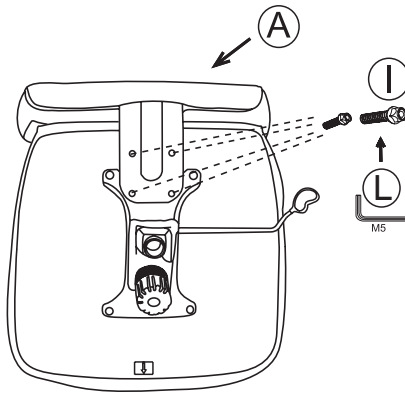
Step 2

With seat pan (B) upside down, place mechanism (E) on the seat aligning so the "Front" label on the mechanism matches the Front label on the seat pan. Use 2 Rear Mechanism screws (J) and 2 Front Mechanism Screws (I) to attach the mechanism, tighten fasteners with Allen Key (L).



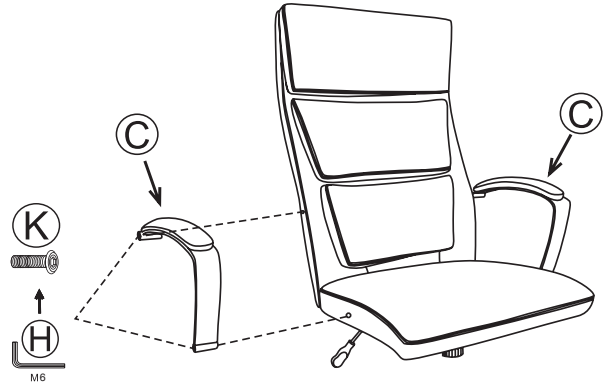
Step 3

Attach Backrest (A) to Mechanism using 4 Back Screws (I). Tighten screws with Allen Key (L).



Step 4

Attach armrest (C) to seat and back with the padded part of the arm facing up using screws (K), start all the screws before tightening fully.



Step 5

Attach assembled chair to base & gaslift. Sit on the chair to secure.

